

MXT-11268ZS000

Self Closing Globe Valve with counter weighted lever DIN length

Technical features

Design	Body: DIN 86251, bonnet: with counter weight
Face to face	EN 558 Series 1 (DIN 3202 F1)
Flange Dimension	DIN Flanges acc. EN 1092 /B (DIN

- Ductile Iron MXT self closing globe valves are mainly used aboard ships as quickly operated safety valves with a counter weighted lever. With a 90 degree turn, the valve will open or close respectively. Closing by clockwise turning.

- Application: For hot and cold water, oil and steam.

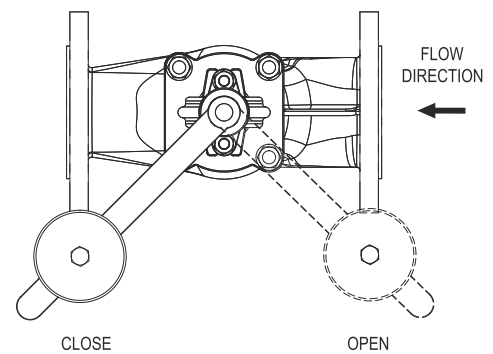


Pressure & temperature ranges

Bore	Pressure rating	Working pressure [bar]		Hydro test pressure [bar]
		120 °C	Casing	Closure
DN 15 - DN 100	PN16	16	24	17.6

Material specifications

Part No.	Component	Material		
1	Body	EN-GJS400-18-LT	EN-JS 1025	GGG40.3
2	Bonnet	EN-GJS400-18-LT	EN-JS 1025	GGG40.3
3	Body seat	X5CrNi18-10	1.4301	AISI304
4	Disc	X20Cr13	1.4021	AISI420
5	Stem	X20Cr13	1.4021	AISI420
6	Bolts, nuts	Steel	Steel	Steel
7	Bonnet gasket	Graphite	Graphite	Graphite
8	Gland packing	Graphite	Graphite	Graphite
9	Lever and counter weight	Steel (St37)	Steel (St37)	Steel (St37)



Dimensions

DN [mm]	Flange Connection	ØD [mm]	L [mm]	H [mm]	C [mm]	Weight [kg]
15	PN16	95	130	160	245	3
20	PN16	105	150	160	245	6
25	PN16	115	160	170	245	7
32	PN16	140	180	170	245	8
40	PN16	150	200	210	295	13
50	PN16	165	230	220	295	15
65	PN16	185	290	225	295	21
80	PN16	200	310	270	295	28
100	PN16	220	350	280	295	40

